



GRADUATE-POST GRADUATE-RESEARCH SCHOLAR

4 BAR WEAVING MACHINE

APM WINMACHINE-APM STUDIO-APM STRUCTURE 3D

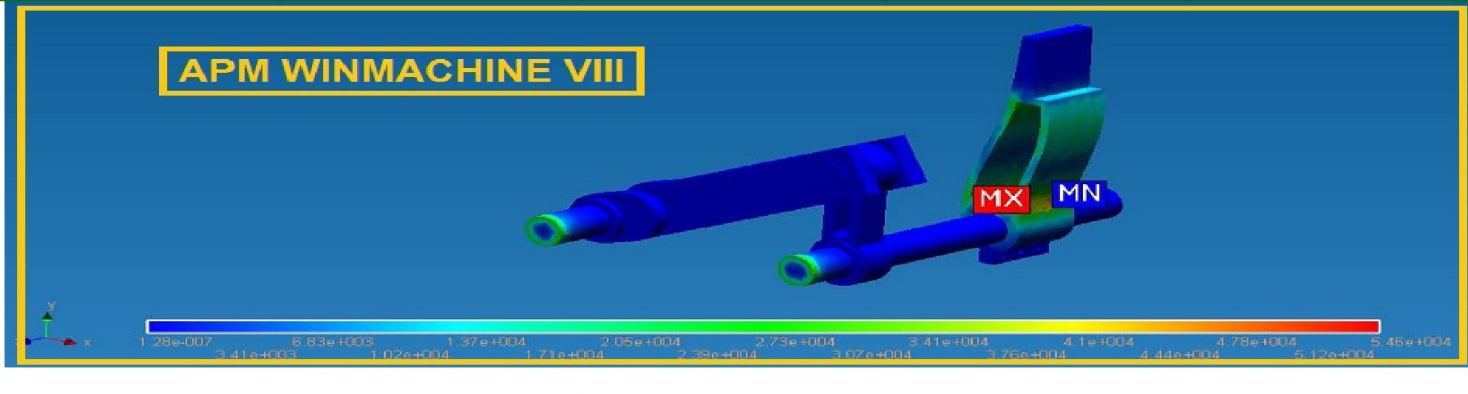
STRUCTURAL

STRESS ANALYSIS

DISPLACEMENT

FACTOR OF SAFETY

MODAL ANALYSIS



DXF-STEP EXPORT TO MBD UM

DXF-STEP EXPORT TO STATIC-STRUCTURAL-DYNAMIC APM

