



GRADUATE-POST GRADUATE-RESEARCH SCHOLAR

VARICAD 2D-3D-PDM-BOM

4 BAR WEAVING MACHINE

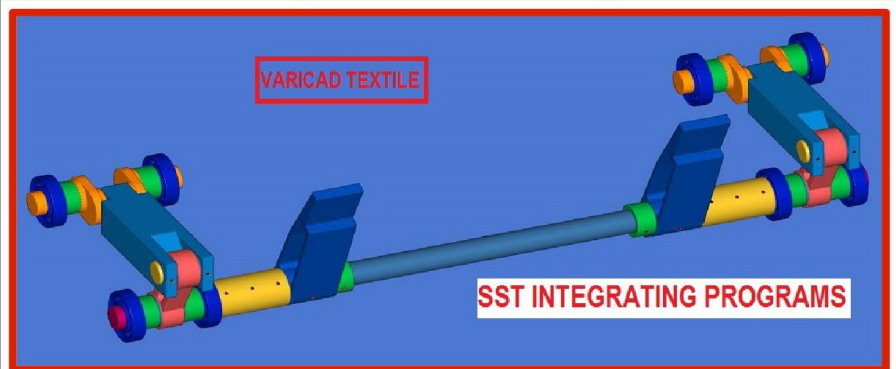
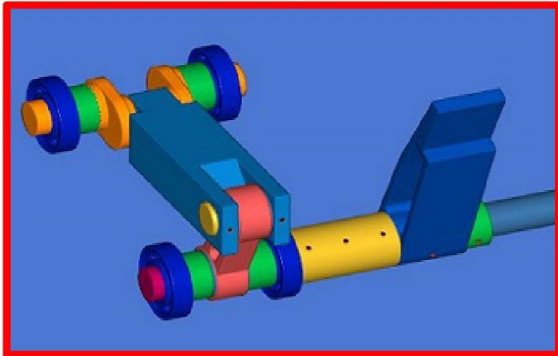
2D-3D PARTS

KINEMATIC ASSY

MASS-M.I-C,G

STANDARD PARTS

BILL OF MATERIAL



DXF-STEP EXPORT TO MBD UM

DXF-STEP EXPORT TO STATIC-STRUCTURAL-DYNAMIC APM

