



GRADUATE-POST GRADUATE-RESEARCH SCHOLAR

KOMPAS 3D

4 BAR WEAVING MACHINE

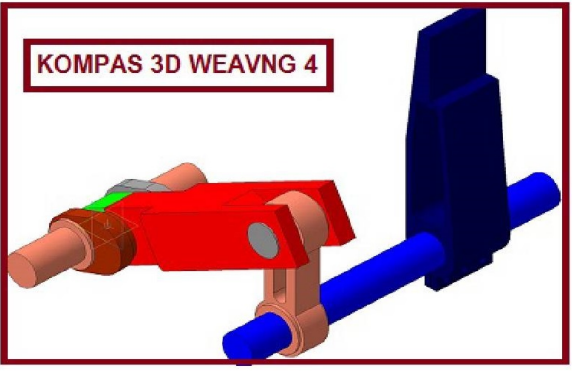
2D-3D PARTS

KINEMATIC ASSY

MASS-M.I-C,G

STANDARD PARTS

BILL OF MATERIAL



DXF-STEP EXPORT TO MBD UM

DXF-STEP EXPORT TO STATIC-STRUCTURAL-DYNAMIC APM

